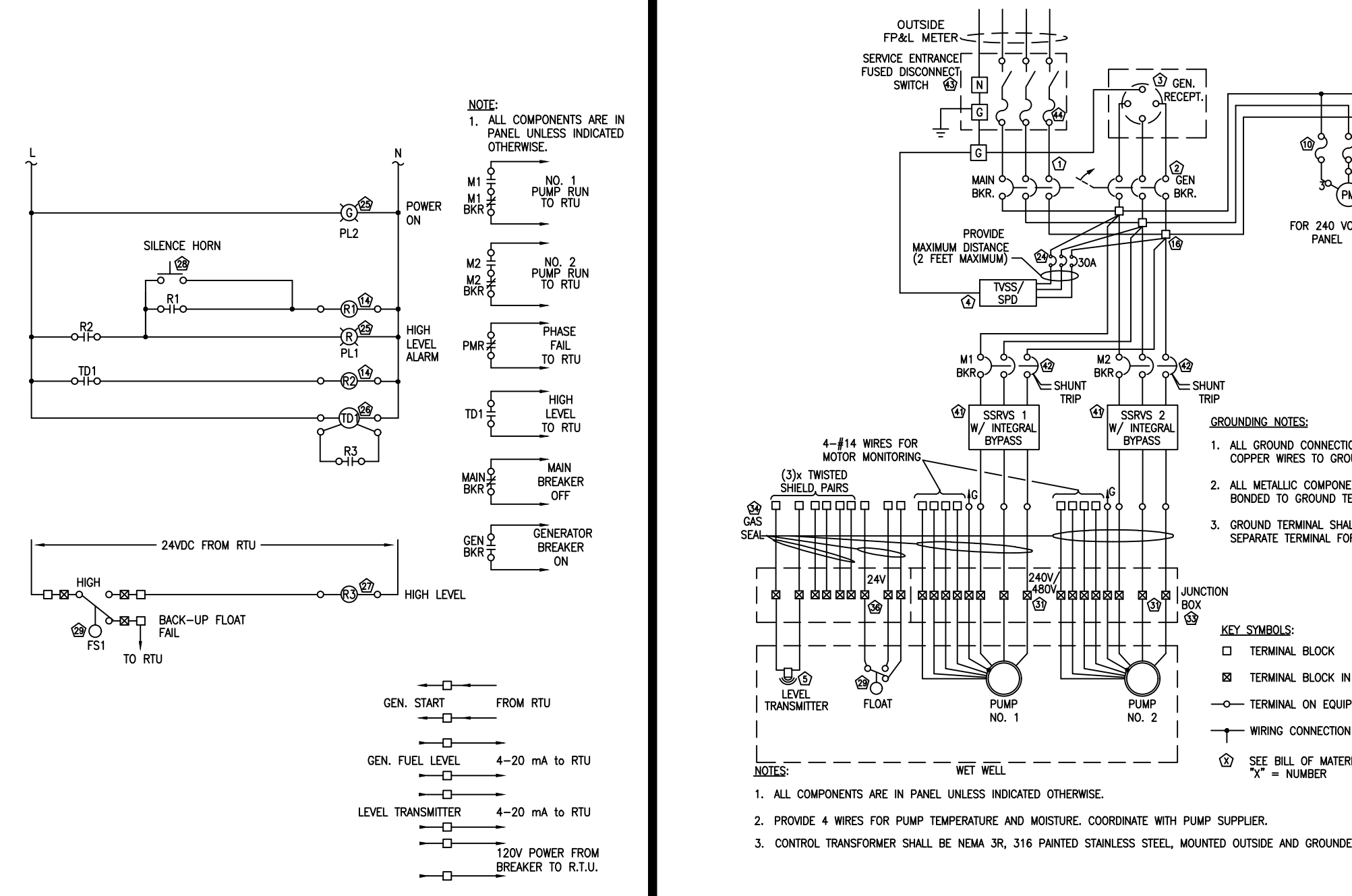


LIFT STATION ELECTRICAL SCHEMATIC

* 63S-70S



LIFT STATION ELECTRICAL SCHEMATIC WITH SOFT STARTERS

* 71S-73S

A. Panel Builder

- 1. The panel builder shall be experienced in the construction of lift station control panels...

B. Panel Components

- 1. The panel components are specified on the drawings with the exception of items described in these specifications...

C. Enclosure

- 1. The panel with size 1, or 2 starters shall be minimum 36 inch wide x 60 inch high x 12 inch deep...

D. Wiring

- 1. All wiring shall be copper THWN or approved equal, AWG 14 minimum. Color code wires as follows: Ground - Green, Grounded Neutral - White, 120 Volt Power - Black, 24 Volt Control - Blue...

E. Component Mounting

- 1. All components shall be securely mounted with stainless steel hardware. Self tapping screws are not acceptable.

F. Identification

- 1. All components shall be identified in accordance with the schematic diagram, using permanent name tags on the panel of laminated mica or approved equal...

G. Junction Box

- 1. The "RAIN TIGHT" junction box shall be NEMA-4X, 316 stainless steel, Hoffman or approved equal with padlock fitting, continuous hinge clamped cover construction...

H. Drawings

- 1. Panel builder shall provide the following drawings: a. Schematic drawing showing all components. Components shall be properly identified by number and function...

I. Loose Components

- 1. Ship the following for mounting by the site electrician: a. Alarm Light - Item 22, b. Outside Floodlight - Item 12, c. 120 Volt Transformer - Item 7...

J. Soft Starters

- 1. Soft Starters (SSRVS - item 41) Soft Starters shall be provided in the control panel for the lift stations which have 20HP motors and larger...

ELECTRICAL PANEL SPECIFICATIONS

* 63S-65S

BILL OF MATERIALS (CONTROL PANEL)

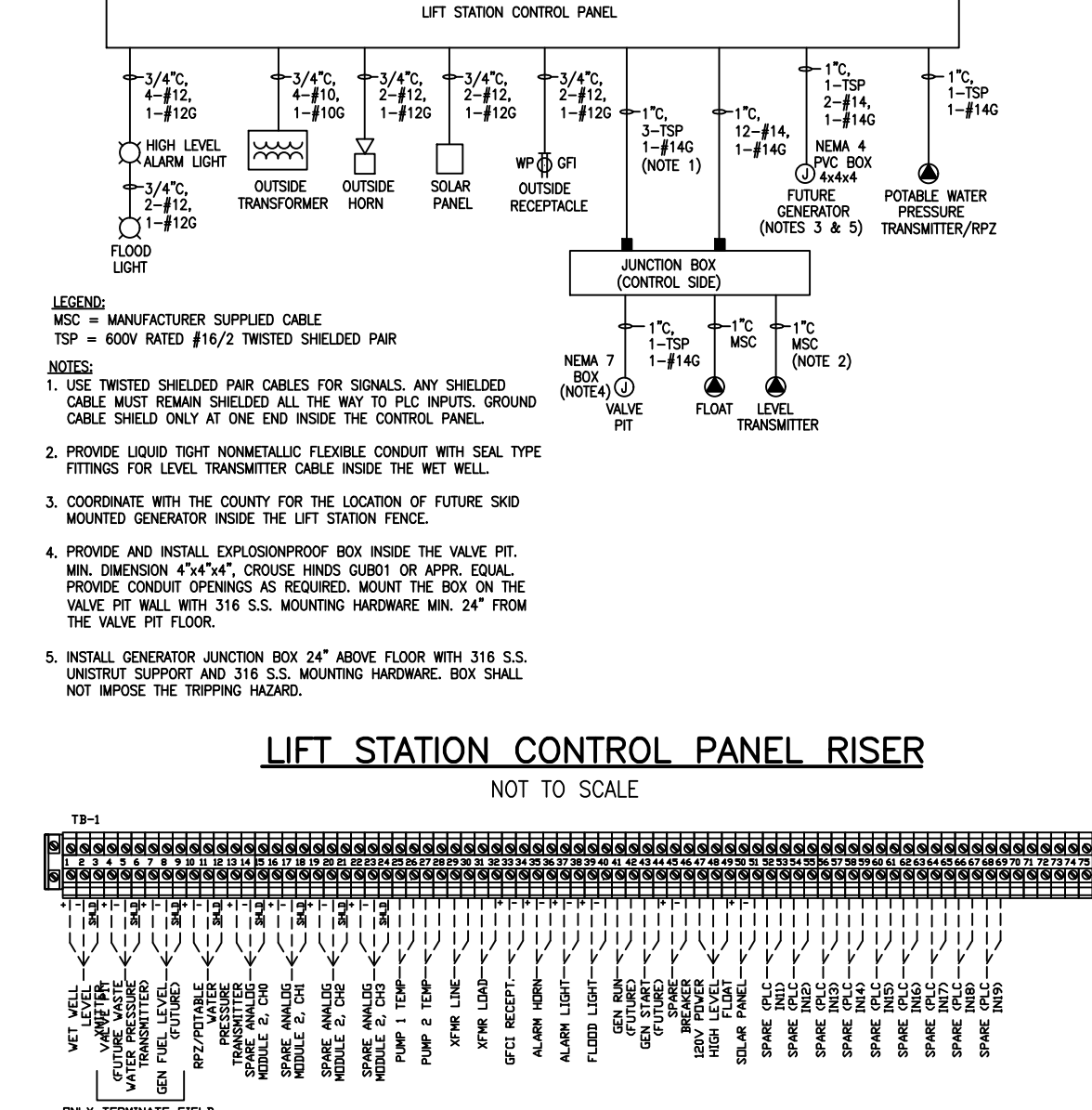
Table with columns: ITEM, NAME, DESCRIPTION, MANUFACTURER, QUANTITY, and UNIT. Lists components like Main Breaker, Generator Breaker, Transformer, etc.

LIFT STATION CONTROL PANEL BILL OF MATERIALS

* 66S

IT'S THE LAW! CALL 48 HOURS BEFORE YOU DIG 1-800-432 4770 SUNSHINE STATE ONE CALL OF FLORIDA, INC. UTILITIES NOTIFICATION CENTER

LIFT STATION CONTROL PANEL RISER



WIRE TERMINAL TB-1

* 74S

LIFT STATION ELECTRICAL STANDARD DETAILS 1 OF 3

CONSULTANT:

DESIGNED BY: WUD DRAWN BY: M. BUCKNER CHECKED BY: J. LAMMERT APPROVED BY: WUD

STD DETAILS SHEET NUMBER E-1 OF 0 SEAL